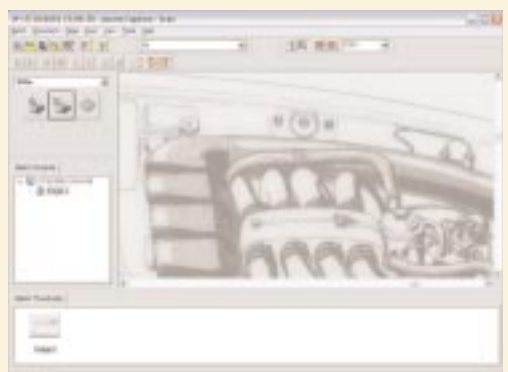




Software Solutions

ISIS Driver - Industry standard interface for the professional electronic document capture (EDC) market

ISIS is a technology for connecting high-speed document scanners to electronic document management (EDM) systems. It is the method of choice and de-facto standard for the professional electronic document capture (EDC) market. Colortrac has developed an ISIS driver that enables EDM users to connect Colortrac 3640e, 3680e, 4260e & 4280e scanners into their existing ISIS EDC workflow. With this approach they can be confident of reliable performance and use their existing applications with no need for additional training or support.



- Colortrac is the ONLY LF scanner manufacturer to offer a certified ISIS driver for the EDC market.
- Automatic and semi-automatic processing of paper documents of all types
- ISIS certification guarantees highest levels of performance

Scanning Products Overview

Colortrac SmartLF

Sharp, fast large format document scans for professional and in-house users.

- COLOUR SCANNING FOR THE PRICE OF B&W - OR LESS!
- Exceptional value B&W model is field upgradable to colour
- Fast achieved speeds, up to 10.1"/s for B&W and 3.36"/s in colour
- Design optimised for accuracy & extra sharp fine image detail
- 2400 dpi maximum resolution, select any dpi from 100 to 2400
- Original documents up to 44" wide with 40" image width
- Instant scanning with push button scan to file, copy or e-mail
- No stitching, no calibration, no warm-up and no waiting!



Colortrac enhanced Scanners

A versatile range of high performance scanning solutions with exceptional performance for copying and scanning.

- Scanning widths from 36" to 54" models available
- Resolution from 50 to 3048dpi (dependant on model)
- Firewire and SCSI interface
- Highly accurate (0.1%)
- Thick media support (upto 0.47"/12mm thick)
- Glassless scan path (no more streaky scans)



Colortrac Flatbed Scanner

Large Format (24"x36") Flatbed Scanner with Exceptional Accuracy and 3600dpi resolution for scanning precious, irregular and rare documents.

- Maximum Resolution - 3600dpi
- Highly accurate (+/- 0.05%)
- Firewire and SCSI interface
- Scan irregular and rare documents including oversized prints
- Unmatched colour accuracy



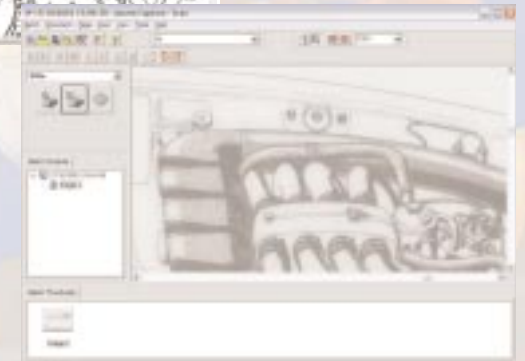
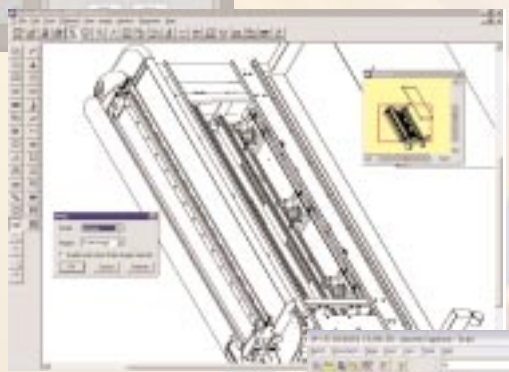
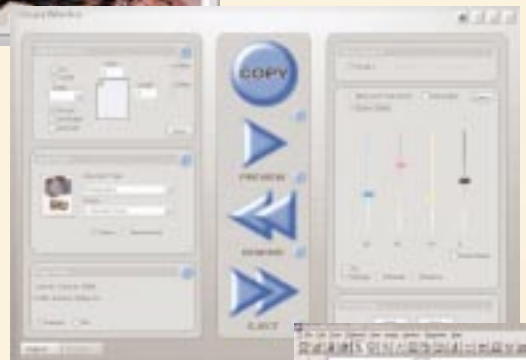
ANAtch Eagle enhanced Scanners

Exceptionally accurate, high optical resolution colour and monochrome solutions for GIS, Mapping, CAD and all demanding applications.

- Colour and Monochrome models available
- Scanning widths from 27 to 62" models available
- Resolution from 1 to 2540dpi (dependant on model)
- Exceptionally accurate (0.05%)



A proven range of software solutions for scanning, copying and raster editing.



- ScanWorks
- CopyWorks 2
- CopySmart
- Predator
- ISIS



ScanWorks - High Speed Digital Scanning Solutions for Large Format Document Archiving Applications

ScanWorks is a powerful yet easy to use scan-to-file application for the Colortrac range of scanners. The user interface & software architecture is designed for high volume archiving projects where maximum scanner productivity, low cost of operation and excellent image quality are essential for success.

• What makes ScanWorks so Powerful?

Colortrac has drawn on 20 years of LF imaging design expertise to create a perfect combination of software and scanner hardware system design.

• Why is ScanWorks so easy to use ?

The intuitive user interface incorporates carefully designed image viewing tools that re-create, as far as possible, normal hard copy work methods. With the original displayed as you like it, the image editing tools are selected by icon buttons and adjusted interactively for immediate evaluation of results and with easy navigation around the image. Each icon or control is provided with selectable, verbose or brief, on-line Hot Tips that explain and guide the user operation.

• **How does ScanWorks maximise scanner productivity ?** ScanWorks productivity is based on the simple premise that doing something once is faster than doing it twice! With this 'scan it once as fast as possible' workflow, the software is optimised to utilise the latest advances in scanner, PC and disk performance & technology to achieve the highest possible productivity.

• **How does ScanWorks reduce operating costs ?** You only need to find the best scan parameters ONCE. Factory default Presets are provided for common original types and new ones can easily be created and used for automatic scanner and software setup.

• **How does ScanWorks achieve the best possible image quality ?** Colortrac's image processing techniques have been developed and refined over many years to meet the quality requirements of the most demanding customers. Over 20 digital imaging filters and scanner control settings are provided, most of them capable of concurrent adjustment by the user independently of the scanning process, at the touch of a button.

Intuitive viewing & editing	4	Works the way you like to work
Batch scanning with Presets	4	Automatic setup & consistent quality
Scan once, edit many, archive	4	Maximum workflow efficiency

Scanning

- Colortrac S3 & S4, ANAtech Evolution & Eagle 4225, 2725 scanners
- 24-bit RGB, 256 & 16 colour optimised palette, 256 level greyscale, black & white
- Single image or batch file scanning with automatic original detection & scan
- Utilities for scanner calibration and fully automatic camera stitching
- ISO, American and Auto-size to original document

User Interface & Document Viewing Tools

- Simple, intuitive user interface with Icon Buttons for most scan & imaging functions
- Real time 1:1 zoom view and pan while scanning
- Thumbnail view of entire image for zoom reference & navigation
- Loupe view with selectable 100, 200, 400% zoom

Image Filtering Tools

- Sharpen / Blur filters
- Noise Removal filters to reduce screen patterns etc.
- Tone Reproduction Curve editor for RGB or R,G,B
- Gamma, brightness, contrast and black & white point adjustment
- De-skew to any angle, Rotate 90° CW & CCW
- Crop to selected area, Mirror about Y axis
- Convert from one current or saved image type to another
- Invert Greyscale or B&W images
- De-speckle with variable spot size
- Adaptive 2D and Fixed Thresholding for B&W
- Undo and Tool Reset buttons

Archiving

- Auto indexing filenames
- Filename Browse / Create
- Presets - Create / Save / Open; proven scanner & filter setups
- Multiple industry standard raster file formats

General Preferences

- Select units, language & temporary files location



CopyWorks 2 - Simple Scanning & Copying Solutions for Corporates Reprographics, AEC and Digital Drawing Offices

CopyWorks is a simple copying and scanning application using ICC colour calibration to connect LF printers with Colortrac scanners. When you just want to get the job done, with minimal training and in the shortest possible time, CopyWorks 'WORKS!'.

• **Simplicity** - Auto detect the original size, specify # copies and scale, click the copy button, it couldn't be simpler! Copies can easily be saved on disk at the same time

• **Colour Quality** - Using industry standard ICC colour profiles for input & output quality management, ensures good quality copies and prints every time. Photographic, Map or Text originals are automatically processed for optimum results according to the selected image type

• **Image Quality** - Pre-scan and crop with interactive brightness and black & white point adjustment, ensures complete user confidence and outputs printed to customer preferences

CopyWorks 2 professional provides extra features for those jobs where more control is required to fine tune the colour reproduction of poor originals, or for panelling of oversize display graphics. With its capability to drive up to two printers simultaneously and multiple copies from one scan, CopyWorks 2 professional delivers additional productivity when time constraints close in.

• **Productivity** - Simultaneous outputs to a maximum of 2 local and/or networked LF printers, scan-to-print or print-from-file

• **Image Editing** - individual CMYK colour controls allow fine adjustments of the printed ink to optimise the colour reproduction of the original. The image can be customised by inserting simple text and rectangular masks to highlight or cover any regions of the original

CopySmart - a copying solution for the SmartLF range of scanners.

• **Excellent Quality** - advanced 2D adaptive thresholding technology ensures great black & white copies even from poor quality sepia and faded originals

• **Ease of Use** - Almost anybody who has used an office photocopier can start using CopyWorks 2 within minutes

CopyWorks 2 Base (single copy from a scan)

Single button operation	4	Anyone can operate it
ICC profile control	4	Industry standard colours
Preview & crop	4	Increased user confidence

CopyWorks 2 Pro

Multiple copies from a single scan	4	Increased productivity
CMYK colour controls	4	Fine tunes colour quality
Two simultaneous printers	4	Extra productivity
Masking and text or bitmap insertion	4	Change copy content

CopySmart

Multiple copies from a single scan	4	Increased productivity
CMYK colour controls	4	Fine tunes colour quality
Masking and text or bitmap insertion	4	Change copy content

Scanning

- Colortrac Series 3 & 4, SmartLF scanners
- Automatic selection of optimum scan resolution
- Colour photos, posters & prints, monochrome photos & greyscale, black & white drawings
- Image processing filters optimised for photographic, map or lineart (text) originals
- ISO, American and Auto-size to original document

Viewing

- Pre-scan
- Zoom & crop
- Black & white points and brightness adjustment

Copying

- HP, Epson, Encad, Canon and other printers (via regular Windows Driver)
- Control for printer quality mode and resolution
- Simultaneous copy and archive of scanned image 'on-the-fly'
- Scaling 1 - 500%
- Step & Repeat with adjustable margin & mirror printing for back-ill or transfer media

CopyWorks 2 Pro Additional Features

- Scaling 1 - 500% and 1 - 99 copies
- Text & mask insertion via Pre-scan
- Simultaneous output to two local and/or networked LF printers
- Panelling with adjustable overlap margins
- CMYK sliders for fine adjustment of ink levels and colour reproduction
- Colour calibrated print from file



Preditor - Professional Raster View & Edit Software for AEC, GIS, CAD and many other Digital Imaging Applications.

Preditor is a Professional Raster Editor specifically designed for high speed viewing and editing of large colour, greyscale or black & white images. The software is optimised for easy to use raster editing, image clean-up and drawing functions.

• **Connectivity.** With its standard TWAIN application interface, Preditor can acquire images directly from virtually any type or format of scanner that is supplied with a TWAIN scanner driver. It is the ideal tool for general purpose image capture, viewing and editing. It is an enterprise wide solution, being very easy to use, across many different user application requirements.

• **High Speed Imaging.** Preditor is designed to display and manipulate very large raster files quickly, although it works equally well with small images. Size and speed are a rare combination, but Preditor is productive regardless of the size or type of image.

• **Flexibility.** Preditor will open, edit, print and archive most of the commonly used Graphic Art, CAD or GIS raster image file formats. Multiple image windows can be opened and processed simultaneously, each displaying different images or zoom views of the same original. RGB colour, greyscale or black & white image types can be displayed allowing easy reference, data transfer or image merging.

• **Raster Editing, Drafting & Colour Adjustment.** Toolbars provide a comprehensive set of imaging functions for professional users. Edit tools include de-skew, crop, de-speckle, scale and visual raster WARPING. Draw tools are provided for Redline text and common shape insertion, and fill options include fuzzy flood, paintbrush, spraycan and cross hatching options. Colour & greyscale originals are edited interactively, guided by a histogram display. 2D large aperture thresholding can be applied to selected regions of greyscale scans where the original document is so degraded that a single pass 'adaptive' algorithm just isn't adaptive enough!

• **Automatic Operation.** Preditor's Keyins and Script features provide a simple method for automatic, off-line, file processing by applying a prepared set of commands to an image or batch of files. The software can be easily integrated with 3rd party applications that invoke Preditor using the Script file facility.

TWAIN scanner interface	4	Connects with most types of scanners
Optimised for LARGE images	4	Fast viewing & editing
Raster editing, drawing & clean-up	4	Modify and improve originals

File Operations

- TWAIN scanner selection and New image acquisition
- New, Open, Save, Save as, Print multiple industry standard raster file formats
- Crop image, Merge files, Re-sample (resolution), Re-scale (size), Re-orient (raster line orientation)
- Preferences for: default settings, workspaces, general, undo, printing, text, function keys, grids
- Create 'keyin' script files to run Preditor for automatic batch file processing

Raster Editing

- Undo, Redo on user selected operations and to user specified number of levels
- Copy, Replicate, Move, Rotate, Mirror raster selection
- Delete inside / outside raster selection
- De-skew to any angle, Rotate 90° CW & CCW, Flip about H or V axis
- De-speckle, Hole fill to remove unwanted & spurious data with variable spot size
- Smooth image to reduce screen patterns etc.
- Scale raster selection or entire image, scale in place / scale & copy / scale & move
- Visual Warping of raster selection or entire image

Raster Drafting

- Draw; Arc, Arrow, Circle, Ellipse, Linestring, Polygon, Rectangle, Text, Cross hatch
- Flood (B&W), Fuzzy flood (greyscale & colour)
- Paintbrush, Spraycan
- Select Line styles, Brush size, Spraycan patterns, Cross hatch patterns

Viewing & Enhancing Images

- Multiple image windows & image tiling options
- Thumbnail view of entire image for zoom reference & navigation
- Zoom to fit image extents, Zoom 1:1, Zoom in thumbnail view
- Gamma, brightness, contrast and black & white point adjustment
- Colour picker for selecting Paintbrush / Spraycan / Flood colours
- Adaptive 2D and Fixed Thresholding of area selected or entire image

Datapoints

- Snap, Zoom Points, Cross hair cursor, Grid Lines, Fences
- Keyins; Record, Playback, Point / Rectangle / Linestring / Polygon

